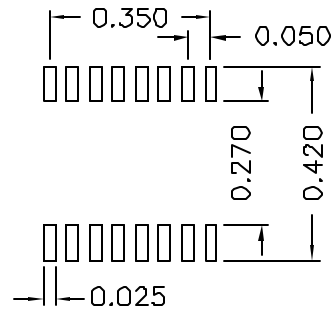
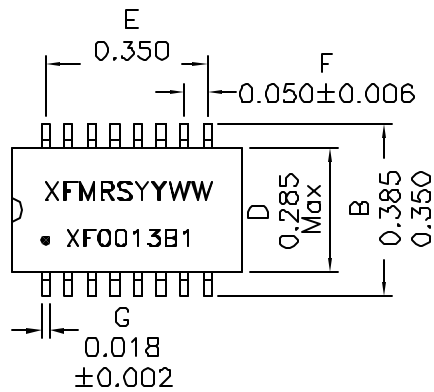
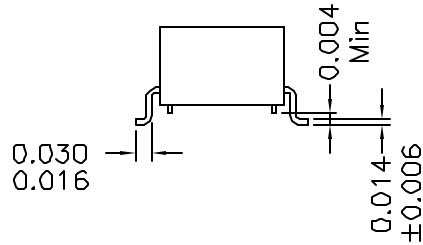
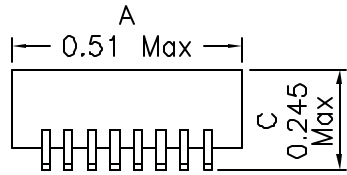
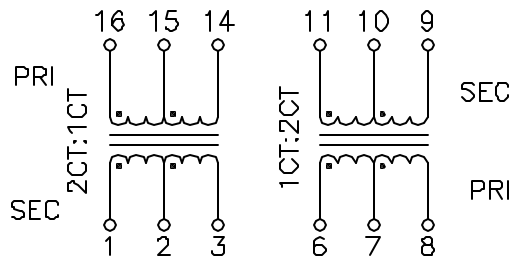


1. Mechanical Dimensions:



SUGGESTED FOOTPRINT

2. Schematic:



3. Electrical Specifications: @25°C

Isolation Voltage: 1500Vac

Turns Ratio: Pins (16-15-14):(1-2-3)=1CT:2CT

Pins (6-7-8):(11-10-9)=1CT:2CT

OCL: Pins 16-14 1.2mH Min @100KHz 50mV

Pins 6-8 1.2mH Min @100KHz 50mV

Cw/w: 30pF Max @100KHz 50mV, (Pri/Sec)

PRI LL: 0.4uH Max @100KHz 50mV, Short SEC

PRI DC Resistance: 0.70 Ohms Maximum

SEC DC Resistance: 1.20 Ohms Maximum

Notes:

1. Solderability: Leads shall meet MIL-STD-202G, Method 208H for solderability.
2. Flammability: UL94V-0
3. ASTM oxygen index: > 28%
4. Insulation System: Class F 155°C, UL file E151556
5. Operating Temperature Range: All listed parameters are to be within tolerance from -40°C to +85°C
6. Storage Temperature Range: -55°C to +125°C
7. Aqueous wash compatible
8. SMD Lead Coplanarity: ±0.004"(0.102mm)
9. Electrical and mechanical specifications 100% tested
10. RoHS Compliant Component

XFMRs Inc www.XFMRs.com	Title: T1/CEPT/DS3 Surface Mount Transformers	
	P/N: XF0013B1	REV. A
UNLESS OTHERWISE SPECIFIED TOLERANCES: .xxx ±0.010 Inch Dimensions in Inch	DWN.	Juan Mao Apr-03-08
	CHK.	YK Liao Apr-03-08
SCALE 2.5:1 SHT 1 OF 1	APP.	BW Apr-03-08

DOC REV: A/B

PROPRIETARY

Document is the property of XFMRs Group & is not allowed to be duplicated without authorization.